



Raychem

FLEXICLIC

THE FASTEST CONNECTION TO FROST PROTECTION

THERMAL MANAGEMENT SOLUTIONS |

WWW.PENTAIRTHERMAL.COM



Raychem FlexiClic frost protection system keeps the water flowing and prevents fluids in pipes from freezing!

Insulation alone cannot fully protect pipes from freezing. When pipes are exposed to subzero temperatures they can burst, leading to considerable damage and disruption.

**FlexiClic FP
Frost protection of pipes**

The Raychem self-regulating heating cable, combined with an adequate insulation and smart control units, prevents pipes from freezing.



Melting and refreezing of ice can damage roofs and gutters. Heavy icicles may fall and cause injury.

**FlexiClic GM
Frost protection of gutters**

The Raychem self-regulating snow melting system maintains water flow in gutters and drain pipes.

FLEXICLIC™

An innovative time saver in modern building construction

Modular systems have become a value-added component of modern building construction. Project timetables are being squeezed ever tighter and installation times must be minimised to prevent project overruns.

Furthermore, call-backs to site to correct installation errors can be costly as some systems, after installation, are not easily accessible. Therefore reliability and speed of installation are imperative.

An intuitive and reliable approach to heating cable connections

Whether for refurbishment, repair or new construction, the modular FlexiClic approach makes it easy to design, change and install a system to fit the requirements of most small and medium-sized projects.

FlexiClic

Combining self-regulating heating technology with innovative interconnection delivers the fastest possible frost protection of gutters and pipes.

THE FASTEST CONNECTION TO FROST PROTECTION

An innovative, modular approach to frost protection of gutters and pipes

Raychem FlexiClic provides flexible, reliable, ultra quick and simple to install, self-regulating heat tracing-solutions for energy-efficiency and safe frost protection of gutters and pipes.

INCREASED RELIABILITY

The heating and power cable connections are factory-terminated and checked for additional reliability and peace of mind.

FASTER INSTALLATION

The Raychem FlexiClic systems have been designed for easy and fast installation. Installation times can be reduced by more than 50%. Simply install the heating cable and "click" the modules together.

Can it be simpler or faster?

FLEXIBLE DESIGN

A Raychem FlexiClic system can be easily extended and configured to match the layout of the pipes or gutters. The system includes connection devices to provide 3, 4, and 5 way connections for total flexibility.

Raychem FlexiClic benefits from the self-regulating heating technology

- **Safe:** self-regulating systems cannot overheat; even when the cables are crossed
- **Flexible during design and installation:** the system can be adjusted to the required length
- **Energy-saving:** self-regulating heating cable uses energy when and where required (see details below)

Self-regulating heating cables adjust their power output automatically!



A Cold ambient = High power output

If the temperature in the immediate vicinity of the self-regulating heating cable is cold, the heat output from the heating cable is increased. The polymeric core of the cable contracts, which creates many electrical paths across the integrated carbon particles.

B Warm ambient = Low power output

In response to a warmer environment, the heat output of the self-regulating cable is reduced. The polymeric core of the cable expands, reducing the electrical paths.

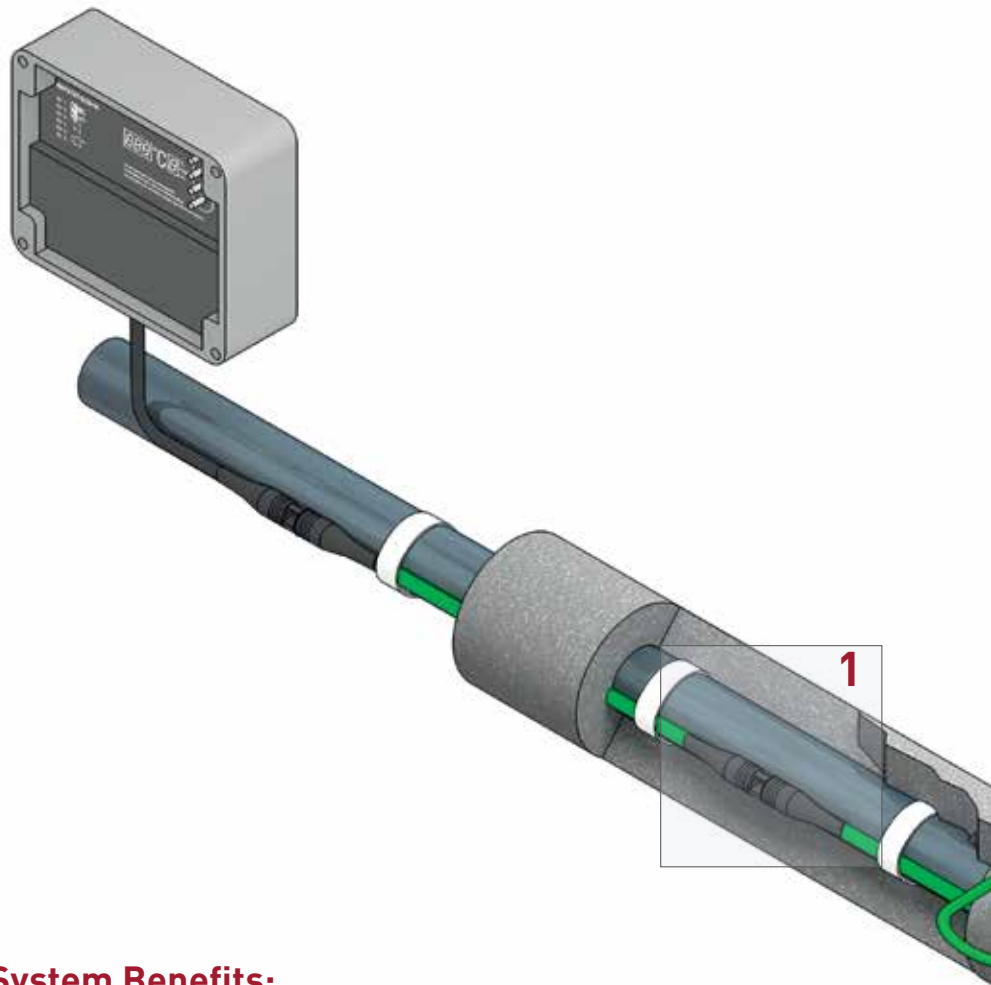
C Hot ambient = Virtually no output

If the temperature in the environment of the self-regulating heating cable reaches a high temperature, the heat output is minimal. Due to the maximum expansion of the polymeric core of the cable, most of the electrical paths are broken.

FLEXICLIC™ FP - MODULAR SYSTEM FOR FROST PROTECTION



FlexiClic
Combining self-regulating heating technology with innovative interconnection delivers the fastest possible frost protection of gutters and pipes.



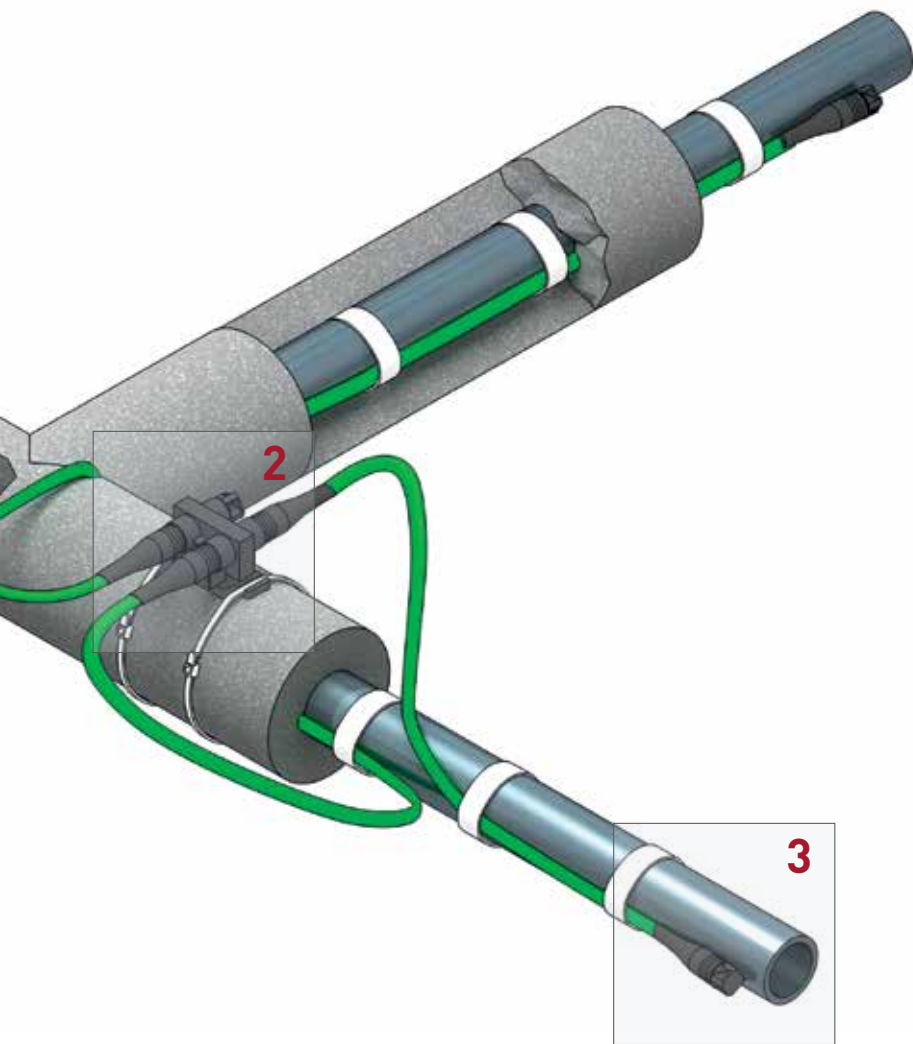
System Benefits:

- Heating modules can be easily fixed to the pipe in a straight trace and can be connected in seconds.
- Heating modules are factory-terminated to provide reliable connections every time without the need for cable splicing and termination.
- A heating module can be converted into a T connection by simply installing a connector unit, giving total flexibility in system design.
- The self-regulating heating modules provide energy-efficient frost protection. The system is also compatible with the Raychem AT-TS thermostat range or the Raystat-ECO-10 controller, for further energy savings up to 80%.



ON OF PIPES

Modular frost protection for pipes in areas at risk of freezing ambient temperatures



RAYCHEM FLEXICLIC FP HOW DOES IT WORK?



Connect power cable to heater



Connect power cable or heating module to connector unit to make T, or 3 output connection



Install an end seal and click in place



MODULAR ACCESSORIES FOR RAYCHEM FLEXICLIC™ SYSTEMS

The components for the FlexiClic systems have been specifically designed to be:

- used with either system (FlexiClic FP or GM)
- innovative and easy to use
- compact and robust
- multi-functional to minimise inventory requirements
- ultra quick to install for labour cost savings

FlexiClic-Power Cable

- 1 m or 3 m modular power cable (including end seal)
- 3 x 2.5 mm² conductors
- 20 A capacity



FlexiClic-Power Cable

FlexiClic FP heating unit

Modular heating cable for pipe frost protection

Available lengths: 1, 3, 5, 7, 15, 25 and 50 m
Max. circuit length: 100 m (16A circuit breaker)



FlexiClic FP Cable

FlexiClic-CE

- Connection module including 2 end seals
- 1 input from a power cable or heating cable with up to 3 heating cable outputs
- Can be connected to another connection module to give up to 5 outputs



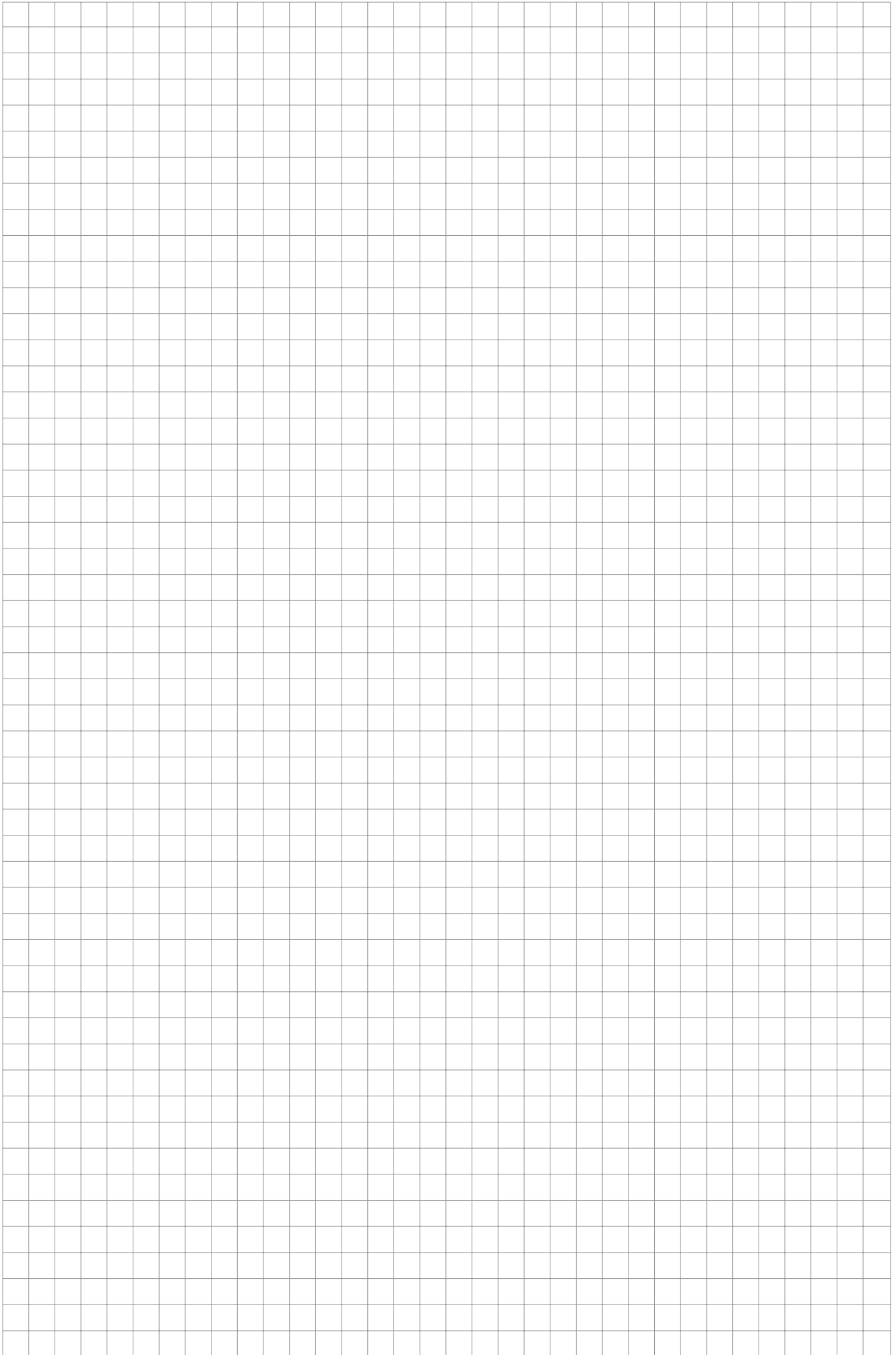
FlexiClic-CE

FlexiClic-E

- Multi-functional end seal for heating modules and connector units
- Provides circuit termination and ingress protection seal to both heating modules and connector unit



FlexiClic-E





WWW.PENTAIRTHERMAL.COM

UNITED KINGDOM

Free phone 0800 96 90 13
Free fax 0800 96 86 24
salesthermaluk@pentair.com

IRELAND

Tel. 1800 654 241
Fax 1800 654 240
salesie@pentair.com

All Pentair trademarks and logos are owned by Pentair. All other brand or product names are trademarks or registered marks of their respective owners. Because we are continuously improving our products and services, Pentair reserves the right to change specifications without prior notice. Pentair is an equal opportunity employer.

© 2013 Pentair. All Rights Reserved.

THERMAL MANAGEMENT SOLUTIONS

EN-RaychemFlexiClicFP-SB-CDE1281 Rev 0 09/2013